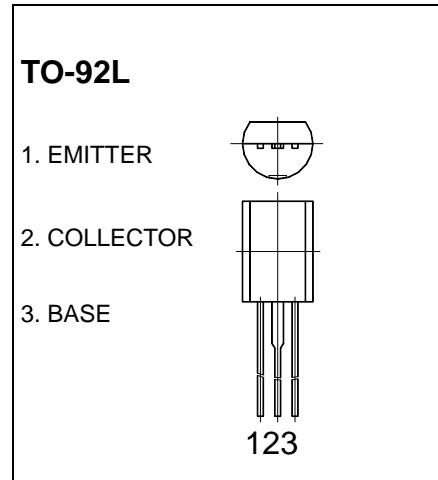


# 深圳市晶泰源电子有限公司

## 2SB892 TRANSISTOR (PNP)

### FEATURE

- Power supplies, relay drivers, lamp drivers, and automotive wiring
- Low saturation voltage.
- Large current capacity and wide ASO.



### MAXIMUM RATINGS ( $T_A=25^{\circ}\text{C}$ unless otherwise noted)

Symbol	Parameter	Value	Units
$V_{CB0}$	Collector-Base Voltage	-60	V
$V_{CE0}$	Collector-Emitter Voltage	-50	V
$V_{EB0}$	Emitter-Base Voltage	-6	V
$I_C$	Collector Current -Continuous	-2	A
$P_C$	Collector Dissipation	0.75	W
$T_J$	Junction Temperature	150	$^{\circ}\text{C}$
$T_{stg}$	Storage Temperature	-55-150	$^{\circ}\text{C}$

### ELECTRICAL CHARACTERISTICS ( $T_{amb}=25^{\circ}\text{C}$ unless otherwise specified)

Parameter	Symbol	Test conditions	MIN	MAX	UNIT
Collector-base breakdown voltage	$V(BR)_{CB0}$	$I_C = -100\mu\text{A}$ , $I_E = 0$	-60		V
Collector-emitter breakdown voltage	$V(BR)_{CE0}$	$I_C = -1\text{mA}$ , $I_B = 0$	-50		V
Emitter-base breakdown voltage	$V(BR)_{EB0}$	$I_E = -100\mu\text{A}$ , $I_C = 0$	-6		V
Collector cut-off current	$I_{CB0}$	$V_{CB} = -50\text{V}$ , $I_E = 0$		-0.1	$\mu\text{A}$
Emitter cut-off current	$I_{EB0}$	$V_{EB} = -4\text{V}$ , $I_C = 0$		-0.1	$\mu\text{A}$
DC current gain	$h_{FE(1)}$	$V_{CE} = -2\text{V}$ , $I_C = -100\text{mA}$	100	560	
	$h_{FE(2)}$	$V_{CE} = -2\text{V}$ , $I_C = -1.5\text{A}$	40		
Collector-emitter saturation voltage	$V_{CE(sat)}$	$I_C = -1\text{A}$ , $I_B = -50\text{mA}$		-0.4	V
Base-emitter saturation voltage	$V_{BE(sat)}$	$I_C = -1\text{A}$ , $I_B = -50\text{mA}$		-1.2	V
Transition frequency	$f_T$	$V_{CE} = -10\text{V}$ , $I_C = -50\text{mA}$	150		MHz

### CLASSIFICATION OF $h_{FE(1)}$

Rank	R	S	T	U
Range	100-200	140-280	200-400	280-560